



Quick Ship Program

TOP SYSTEM

SL-SERIES metal drawer

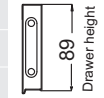
TOPSYSTEM SL-SERIES METAL DRAWER

Page



Lower drawer

Drawer height: 89 mm.
Load capacity: 40 kg.

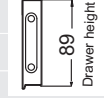


3



Lower inner drawer

Drawer height: 89 mm.
Load capacity: 40 kg.

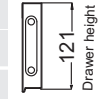


5



Medium drawer

Drawer height: 121 mm.
Load capacity: 40 kg.

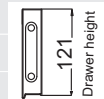


7



Medium inner drawer

Drawer height: 121 mm.
Load capacity: 40 kg.

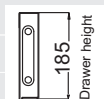


9



High drawer

Drawer height: 185 mm.
Load capacity: 40 kg.

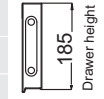
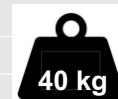


11



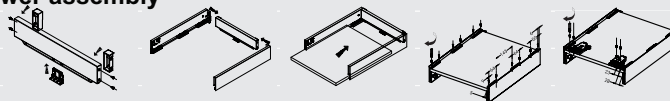
High inner drawer

Drawer height: 185 mm.
Load capacity: 40 kg.



13

Drawer assembly



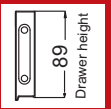
Metal back assembly

Metal back assembly drawer

Bottom assembly

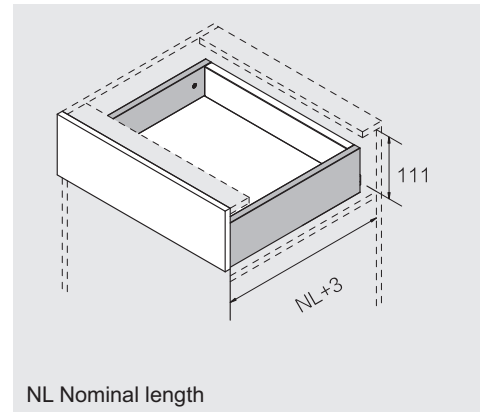
15

TOPSYSTEM SL-SERIES METAL DRAWER - height 89 mm (low drawer)



- 13 mm slim drawer panel max internal drawer space
- Color white or grey
- Fully synchronized motion, smooth opening and closing
- Quick and easy assembly and dismantling
- 3D adjustment
- Dynamic load 40 kg.
- Optional tilt adjustment

Space requirement



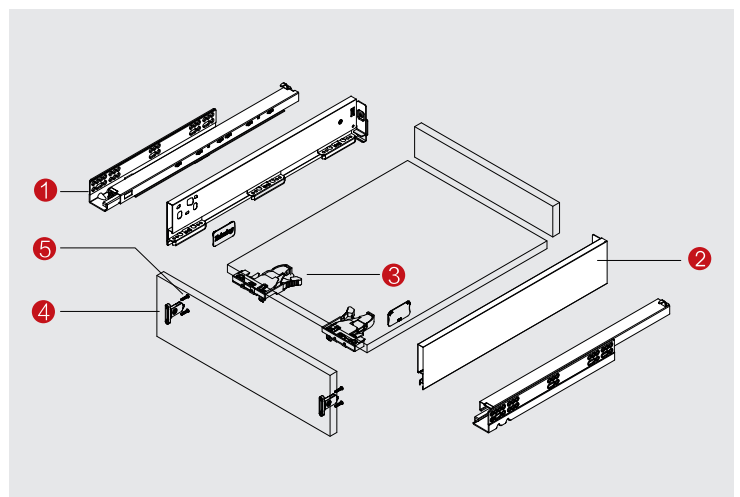
Specification

Kit package		
White (W) Grey (G)		
Nominal length NL	Soft close drawer item NO.	Set/ctn
270mm	SL89-270K	1
300mm	SL89-300K	1
350mm	SL89-350K	1
400mm	SL89-400K	1
450mm	SL89-450K	1
500mm	SL89-500K	1
550mm	SL89-550K	1

Drawer slides industrial package		
Pre-zinc steel		
Nominal length NL	Soft close drawer item NO.	Set/ctn
270mm	SL44C-270	10
300mm	SL44C-300	10
350mm	SL44C-350	10
400mm	SL44C-400	10
450mm	SL44C-450	10
500mm	SL44C-500	10
550mm	SL44C-550	10

Drawer sides industrial package		
White (W) Grey (G)		
Nominal length NL	Item NO.	Set/ctn
270mm	SL89-270mm	10
300mm	SL89-300mm	10
350mm	SL89-350mm	10
400mm	SL89-400mm	10
450mm	SL89-450mm	10
500mm	SL89-500mm	10
550mm	SL89-550mm	10

The basic components



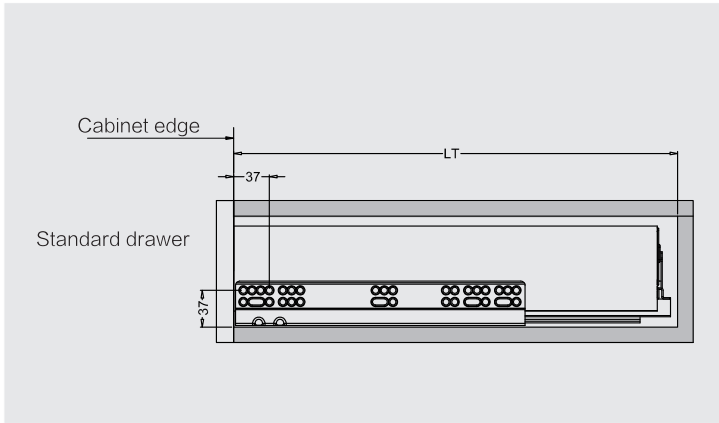
Bottom Fixing-brackets left/right Industrial Package			
Item	incl. with drawer slides	Set/ctn	10

Front Fixing-brackets Industrial Package			
Pre-zinc Steel			
Item	incl. with drawer sides	Set/ctn	10

Screw Industrial Package			
Zinc Plated			
Item	incl. with drawer sides	Set/ctn.	10

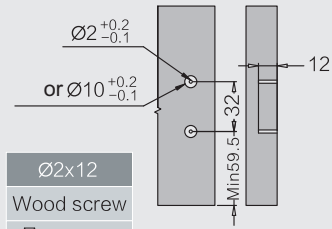
Installation dimensions (mm)

Nominal Slide Length=NL Internal Cabinet Depth=LT=NL+3



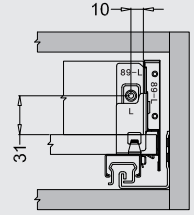
Drawer installation dimensions (mm)

Drawer Front

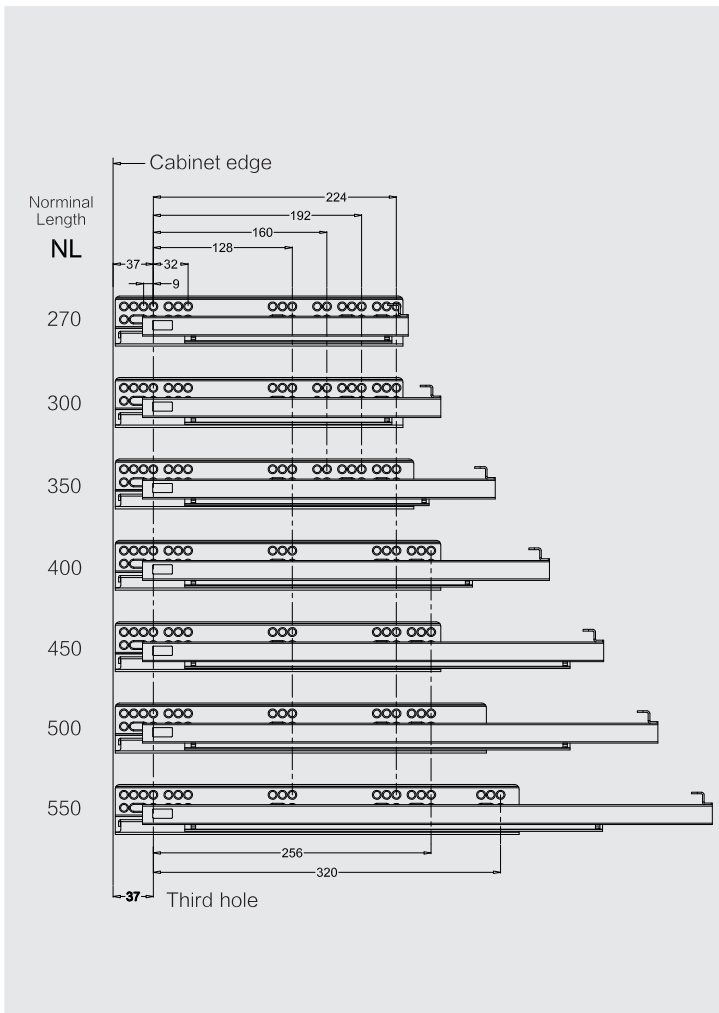


- $\varnothing 2 \times 12$
- Wood screw
- M4x17
- $\varnothing 10 \times 12$
- Anchor bolt
- M10x10

Back



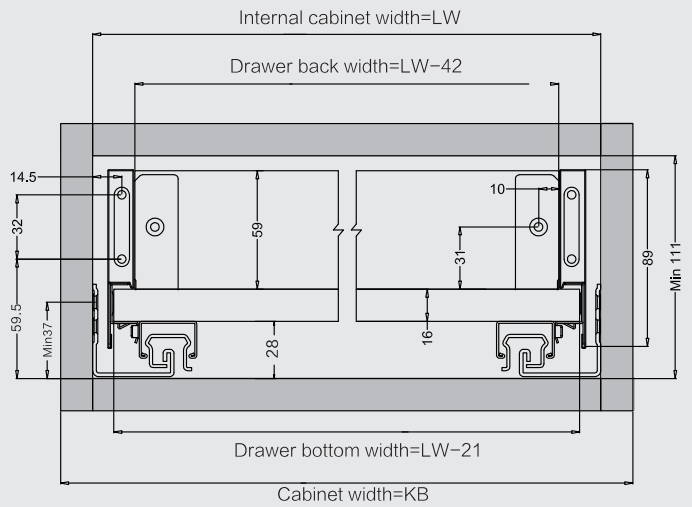
Screw positions of the sides (mm)



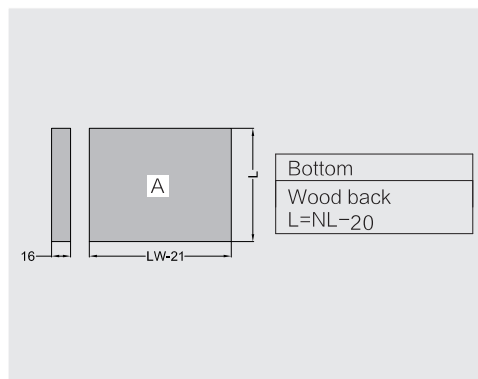
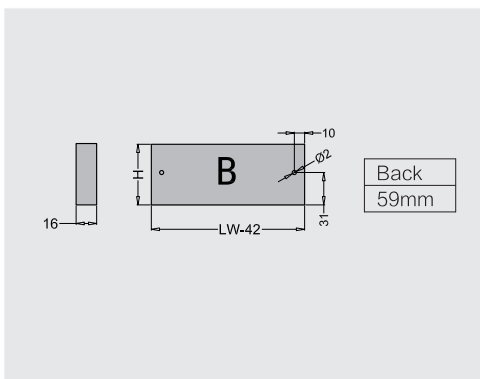
Installation dimensions (mm)

LW Internal cabinet width

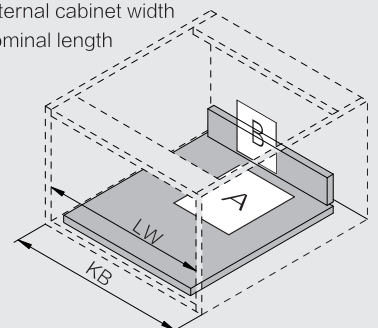
Installation Dimensions(mm)



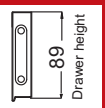
Drawer back and bottom dimensions (mm)



KB Cabinet width
LW Internal cabinet width
NL Nominal length

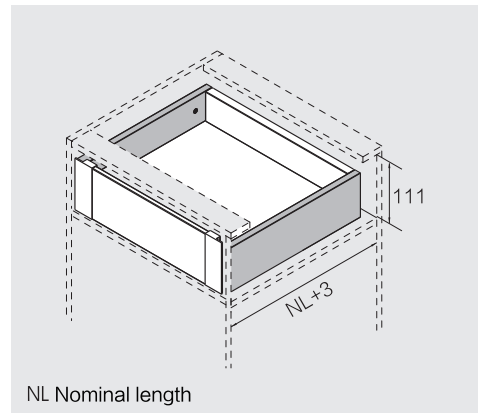


TOPSYSTEM SL-SERIES METAL DRAWER - height 89 mm (low inner drawer)



- Slim drawer panel max internal drawer space
- Color white or Grey
- Fully synchronized motion, smooth opening and closing
- Quick and easy assembly and dismantling
- 3D adjustment
- Dynamic load 40 kg.
- Optional tilt adjustment

Space requirement



Specification

Kit package		
White (W) Grey (G)		
Nominal length NL	Soft close drawer item NO.	Set/ctn
270mm	SL89-270KI	1
300mm	SL89-300KI	1
350mm	SL89-350KI	1
400mm	SL89-400KI	1
450mm	SL89-450KI	1
500mm	SL89-500KI	1
550mm	SL89-550KI	1

Drawer slides industrial package		
Pre-zinc steel		
Nominal length NL	Soft close drawer item NO.	Set/ctn
270mm	SL44C-270	10
300mm	SL44C-300	10
350mm	SL44C-350	10
400mm	SL44C-400	10
450mm	SL44C-450	10
500mm	SL44C-500	10
550mm	SL44C-550	10

Drawer sides industrial package		
White (8081) 、 Grey(8082)		
Nominal length NL	Item NO.	Set/ctn
270mm	SL89-270mm	10
300mm	SL89-300mm	10
350mm	SL89-350mm	10
400mm	SL89-400mm	10
450mm	SL89-450mm	10
500mm	SL89-500mm	10
550mm	SL89-550mm	10

Locking brackets L/R Industrial Package		
Item	incl. with drawer slides	Set/ctn
		10

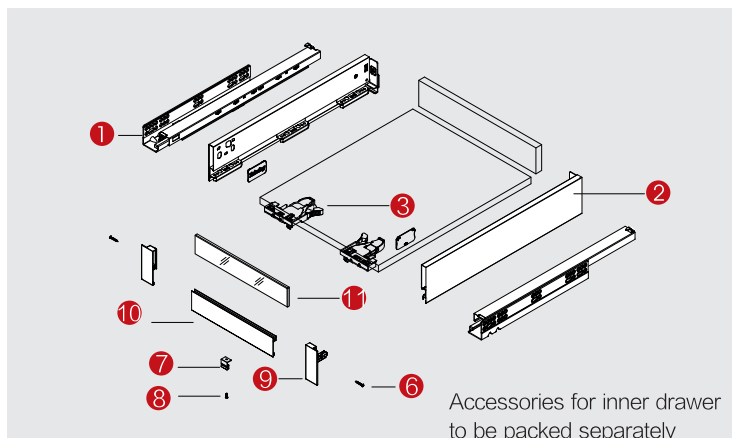
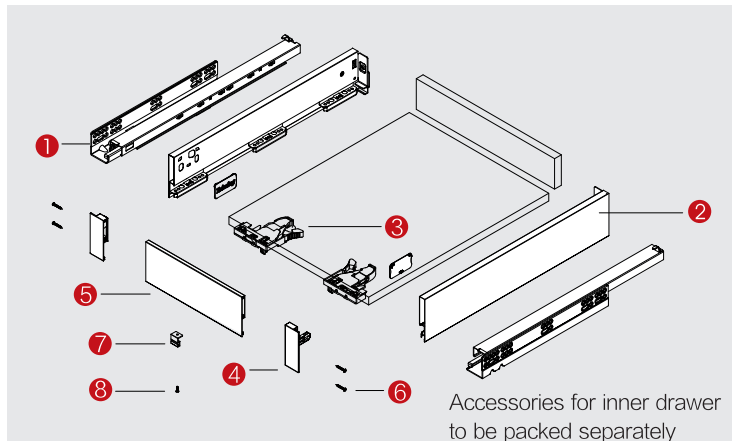
Front Fixing brackets L/R Industrial Package		
White, Grey		
Item	incl. with drawer sides	Set/ctn
		10


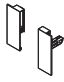
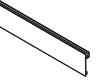
Front section Industrial Package		
White, Grey		
Item	incl. with drawer sides	Set/ctn
		10

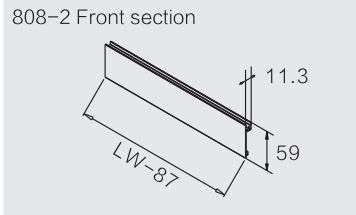
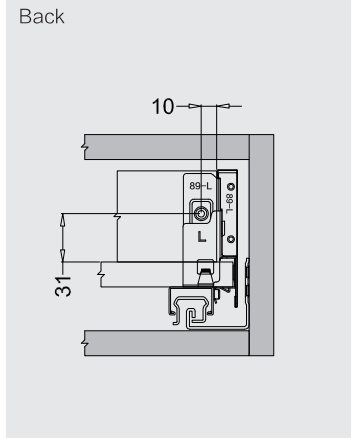
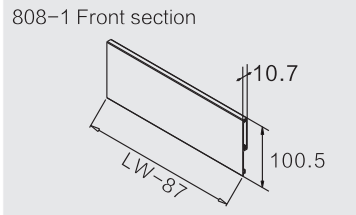
Screw (Φ 4x25) Industrial Package		
Zinc Plated		
Item	incl. with drawer sides	Set/ctn
		10

Bottom fixed Industrial Package		
White		
Item	incl. with drawer sides	Set/ctn
		10

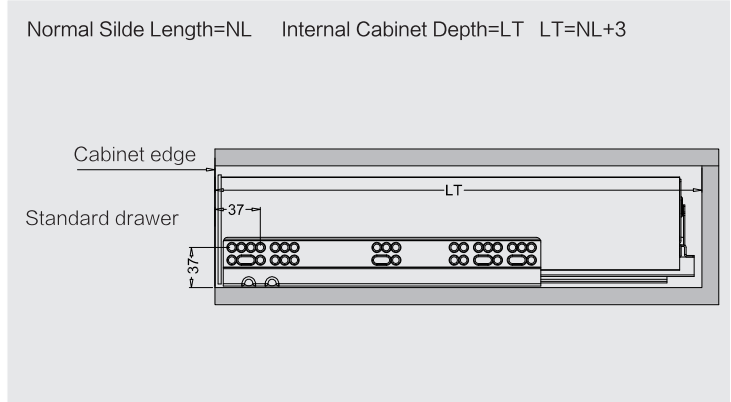
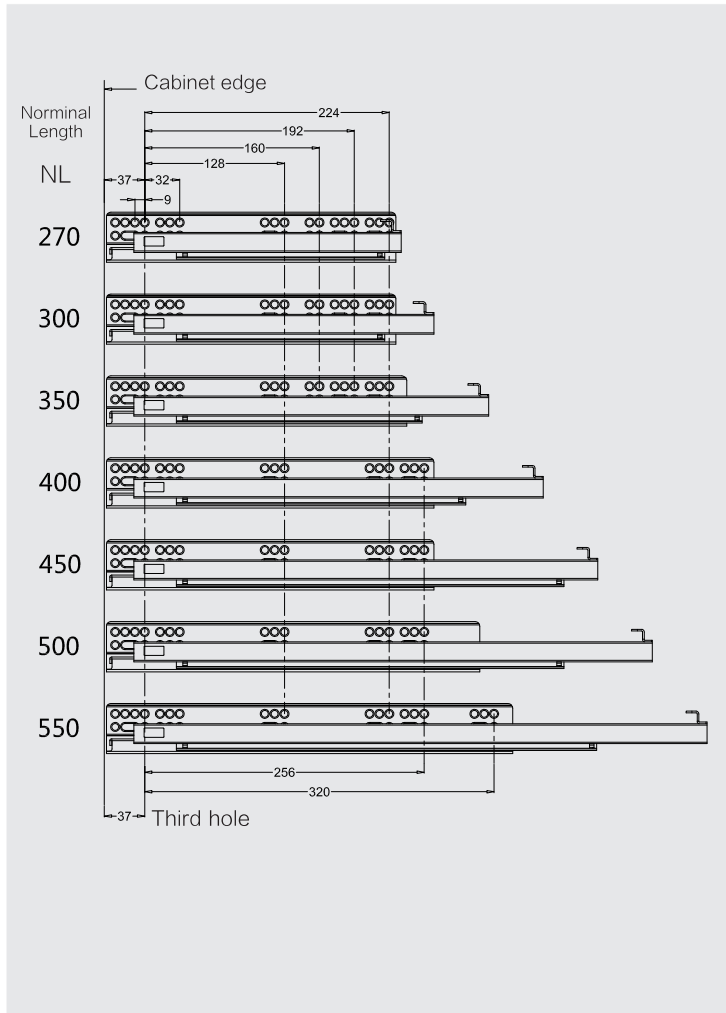
The basic components



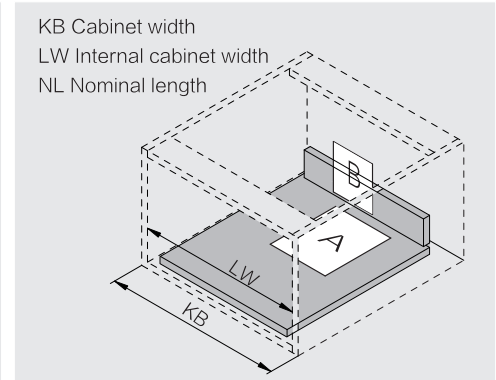
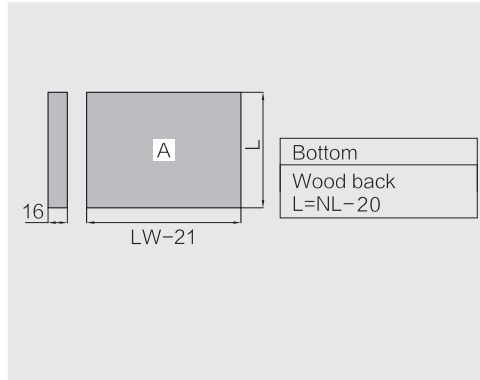
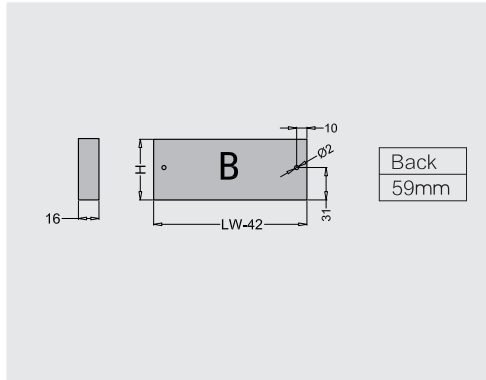
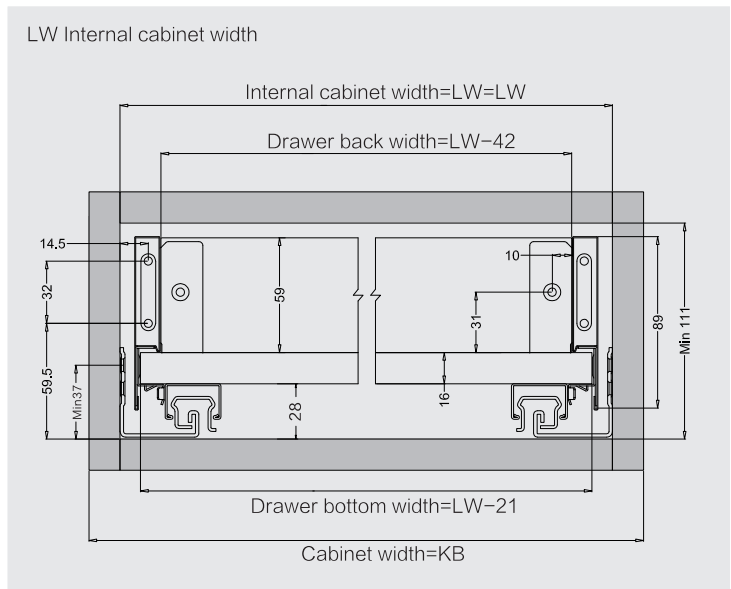
8		Screw (Φ 3.5x13)		Industrial Package	
		Zinc Plated			
9		Front Fixing brackets L/R		Industrial Package	
		Item NO.	incl. with drawer slides	Set/ctn	10
10		Front section		Industrial Package	
		Item NO.	White (W) Grey (G)	Set/ctn	10



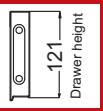
Screw positions of the sides (mm)



Installation Dimensions(mm)

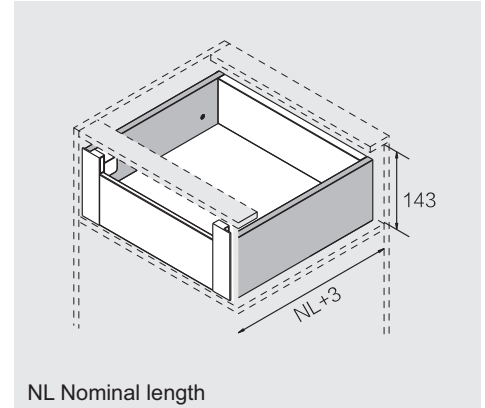


TOPSYSTEM SL-SERIES METAL DRAWER - height 121 mm (medium drawer)



- 13 mm slim drawer panel max internal drawer space
- Color white or grey
- Fully synchronized motion, smooth opening and closing
- Quick and easy assembly and dismantling
- 3D adjustment
- Dynamic load 40 kg.
- Optional tilt adjustment

Space requirement



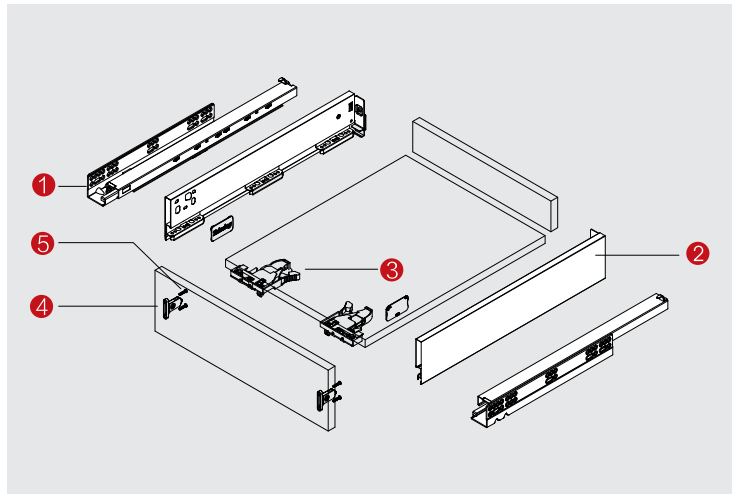
Specification

Kit package		
White (W) Grey (G)		
Nominal length NL	Soft close drawer item NO.	Set/ctn
270mm	SL121-270K	1
300mm	SL121-300K	1
350mm	SL121-350K	1
400mm	SL121-400K	1
450mm	SL121-450K	1
500mm	SL121-500K	1
550mm	SL121-550K	1

Drawer slides industrial package		
Pre-zinc steel		
Nominal length NL	Soft close drawer item NO.	Set/ctn
270mm	SL44C-270	10
300mm	SL44C-300	10
350mm	SL44C-350	10
400mm	SL44C-400	10
450mm	SL44C-450	10
500mm	SL44C-500	10
550mm	SL44C-550	10

Drawer sides industrial package		
White (W) Grey (G)		
Nominal length NL	Item NO.	Set/ctn
270mm	SL121-270mm	10
300mm	SL121-300mm	10
350mm	SL121-350mm	10
400mm	SL121-400mm	10
450mm	SL121-450mm	10
500mm	SL121-500mm	10
550mm	SL121-550mm	10

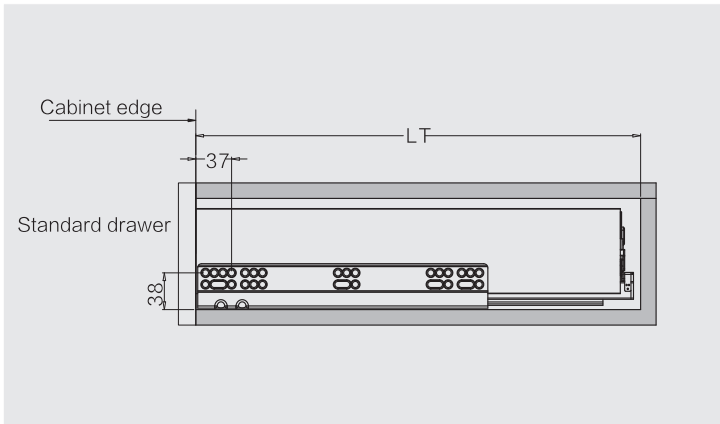
The basic components



Bottom Fixing-brackets left/right Industrial Package			
Item	incl. with drawer slides	Set/ctn	10
3			
Front Fixing-brackets Industrial Package			
Pre-zinc Steel			
Item	incl. with drawer sides	Set/ctn	10
4			
Screw Industrial Package			
Zinc Plated			
Item	incl. with drawer sides	Set/ctn.	10
5			

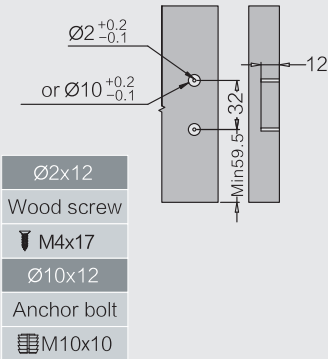
Installation dimensions (mm)

Nominal Slide Length=NL Internal Cabinet Depth=LT=NL+3

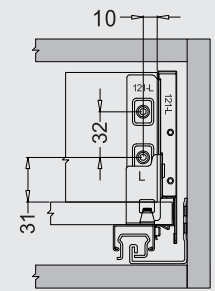


Drawer installation dimensions (mm)

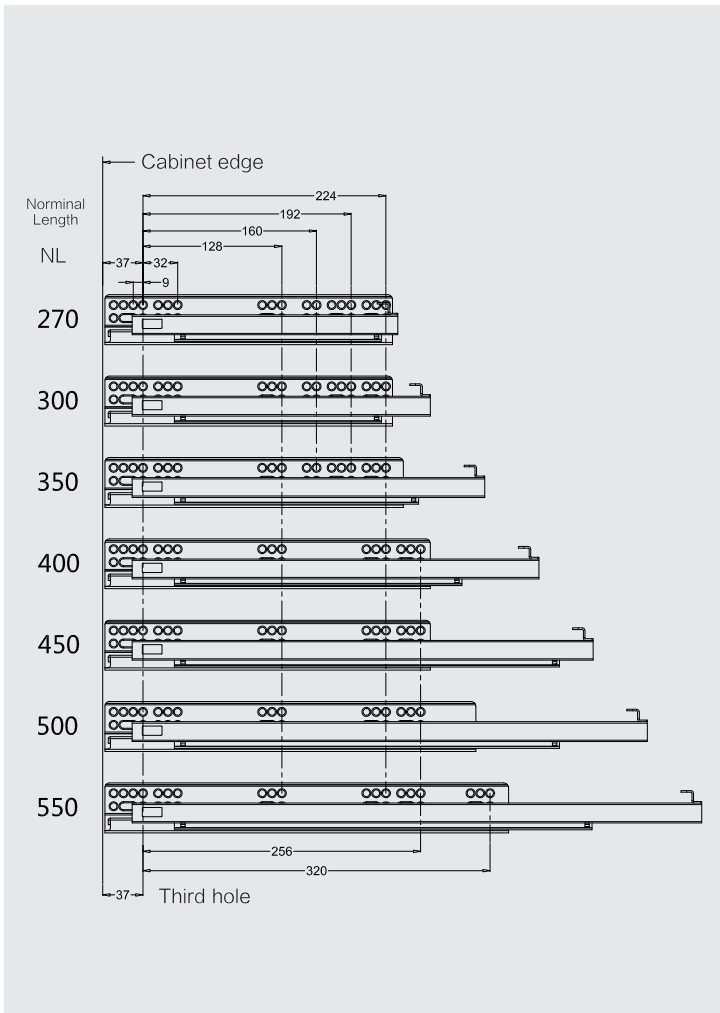
Drawer Front



Back

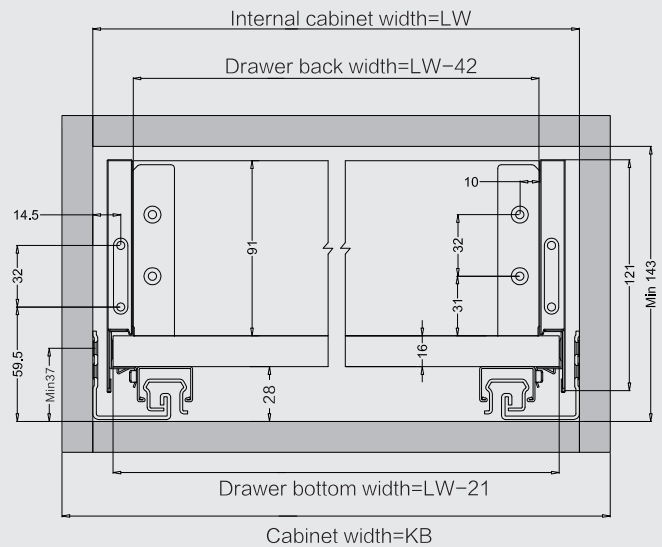


Screw positions of the sides (mm)

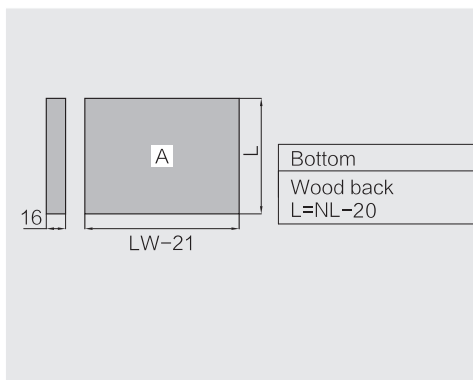
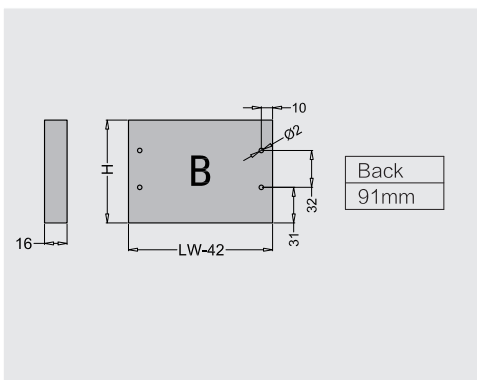


Installation dimensions (mm)

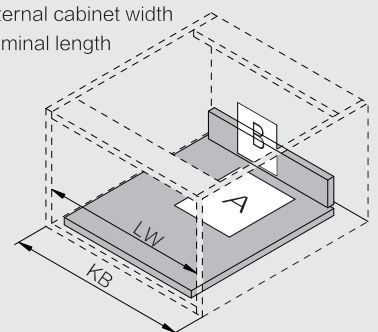
LW Internal cabinet width



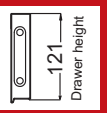
Drawer back and bottom dimensions (mm)



KB Cabinet width
LW Internal cabinet width
NL Nominal length

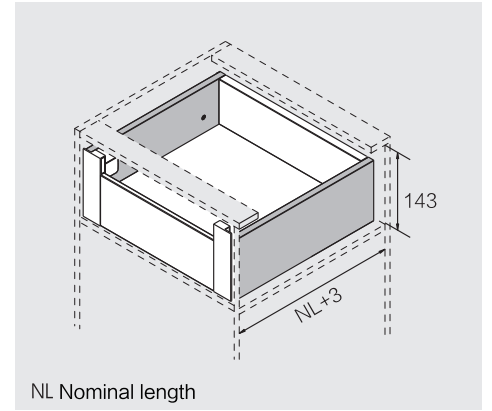


TOPSYSTEM SL-SERIES METAL DRAWER height 121 mm (medium inner drawer)



- Slim drawer panel
max internal drawer space
- Color white or Grey
- Fully synchronized motion,
smooth opening and closing
- Quick and easy assembly
and dismantling
- 3D adjustment
- Dynamic load 40 kg.
- Optional tilt adjustment

Space Requirement



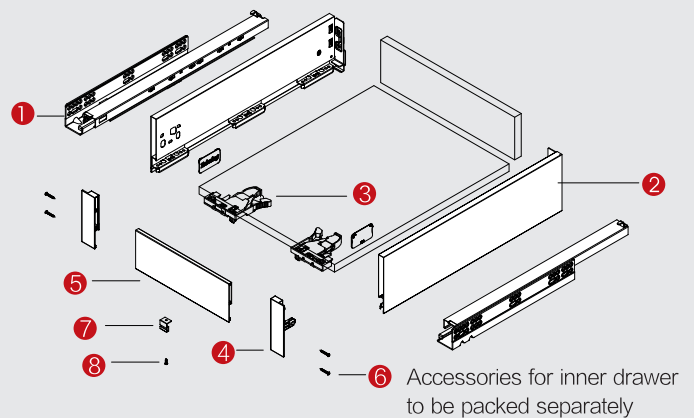
Specification

Kit package			
White (W) Grey (G)			
Nominal length NL	Soft close drawer item NO.	Set/ctn	
270mm	SL89-270Ki	1	
300mm	SL89-300KI	1	
350mm	SL89-350KI	1	
400mm	SL89-400KI	1	
450mm	SL89-450KI	1	
500mm	SL89-500KI	1	
550mm	SL89-550KI	1	

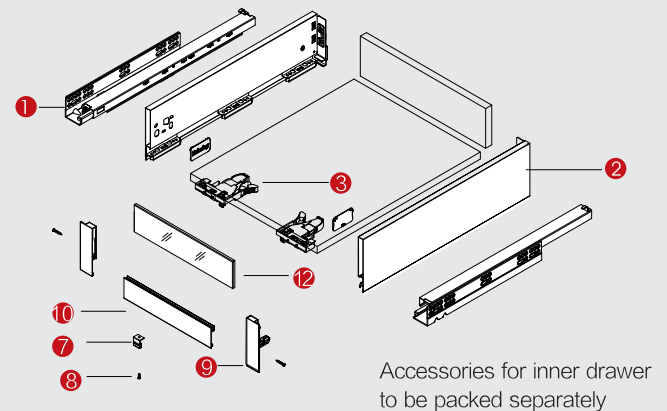
Sides Industrial Package			
Pre-zinc Steel			
Nominal length NL	Soft close drawer item NO.	Set/ctn	
270mm	SL44C-270	10	
300mm	SL44C-300	10	
350mm	SL44C-350	10	
400mm	SL44C-400	10	
450mm	SL44C-450	10	
500mm	SL44C-500	10	
550mm	SL44C-550	10	


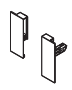
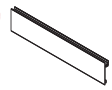
Drawer Sides Industrial Package			
White (8081) 、 Grey(8082)			
Nominal length NL	Item NO.	Set/ctn	
270mm	SL89-270mm	10	
300mm	SL89-300mm	10	
350mm	SL89-350mm	10	
400mm	SL89-400mm	10	
450mm	SL89-450mm	10	
500mm	SL89-500mm	10	
550mm	SL89-550mm	10	

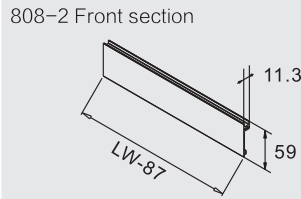
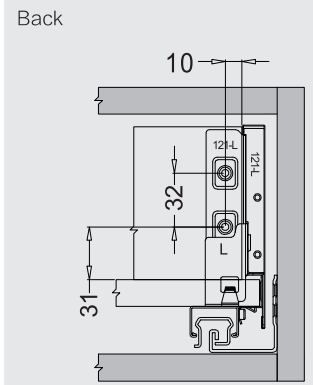
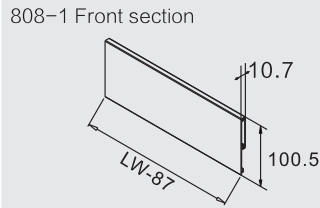
The basic components



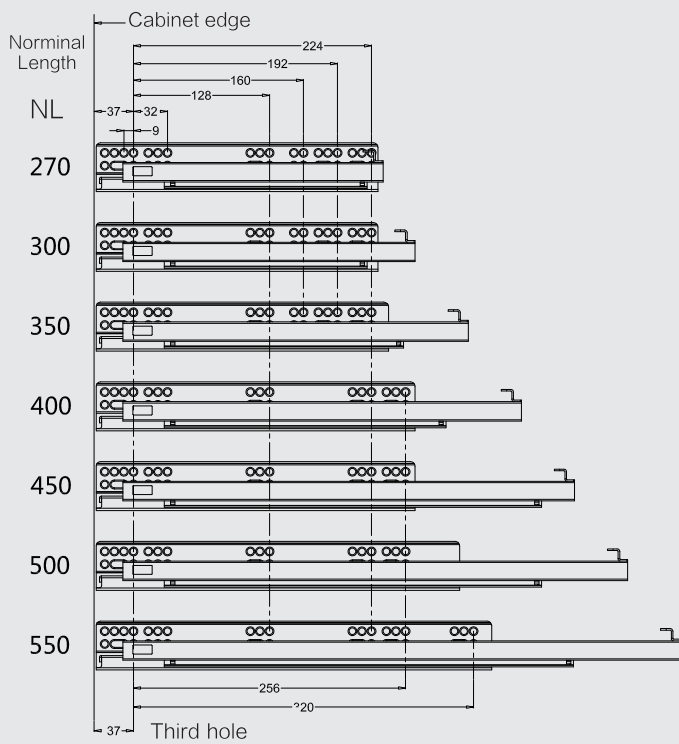
Locking brackets L/R Industrial Package			
Item	incl. with drawer slides	Set/ctn	10
Front Fixing brackets L/R Industrial Package			
White, Grey			
Item	incl. with drawer sides	Set/ctn	10
Front section Industrial Package			
White, Grey			
Item	incl. with drawer sides	Set/ctn	10
Screw (Φ 4x25) Industrial Package			
Zinc Plated			
Item	incl. with drawer sides	Set/ctn	10
Bottom fixed Industrial Package			
White			
Item	incl. with drawer sides	Set/ctn	10



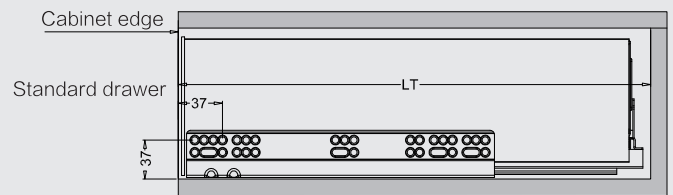
8		Screw (Φ 3.5x13)	Industrial Package
		Zinc Plated	
	Item NO.	incl. with drawer slides	Set/ctn 10
9		Front Fixing brackets L/R	Industrial Package
		Item NO.	incl. with drawer slides Set/ctn 10
10		Front section	Industrial Package
		Item NO.	White (W) Grey (G) Set/ctn 10



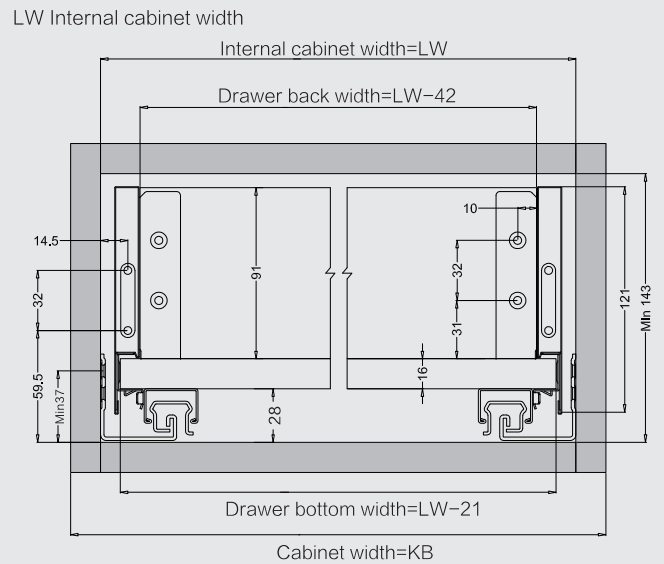
Screw Positions of the Sides(mm)



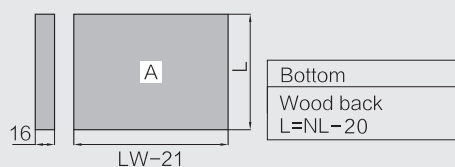
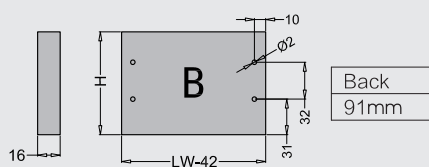
Normal Silde Length=NL Internal Cabinet Depth=LT LT=NL+3



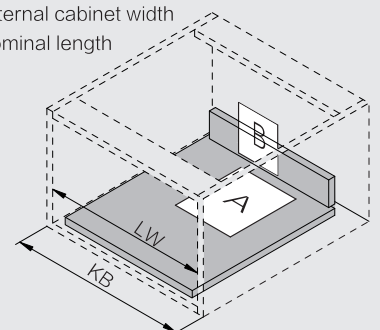
Installation Dimensions(mm)



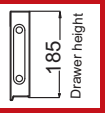
Drawer Back and Bottom Dimensions(mm)



KB Cabinet width
LW Internal cabinet width
NL Nominal length

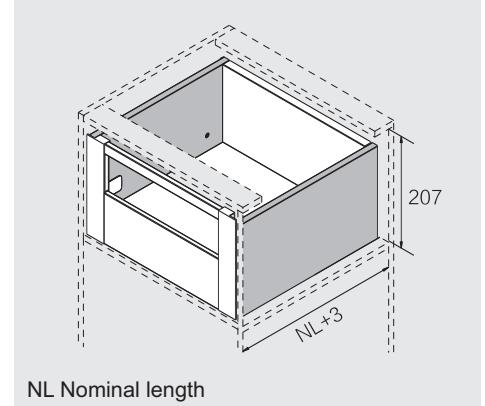


TOPSYSTEM SL-SERIES METAL DRAWER - height 185 mm (high drawer)



- 13 mm slim drawer panel max internal drawer space
- Color white or grey
- Fully synchronized motion, smooth opening and closing
- Quick and easy assembly and dismantling
- 3D adjustment
- Dynamic load 40 kg.
- Optional tilt adjustment

Space requirement



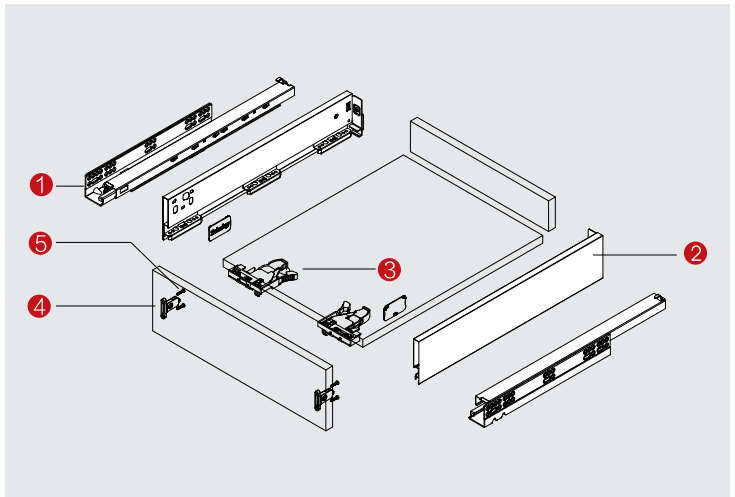
Specification

Kit package		
White (W) Grey (G)		
Nominal length NL	Soft close drawer item NO.	Set/ctn
270mm	SL185-270K	1
300mm	SL185-300K	1
350mm	SL185-350K	1
400mm	SL185-400K	1
450mm	SL185-450K	1
500mm	SL185-500K	1
550mm	SL185-550K	1

Drawer slides industrial package		
Pre-zinc steel		
Nominal length NL	Soft close drawer item NO.	Set/ctn
270mm	SL44C-270	10
300mm	SL44C-300	10
350mm	SL44C-350	10
400mm	SL44C-400	10
450mm	SL44C-450	10
500mm	SL44C-500	10
550mm	SL44C-550	10

Drawer sides industrial package		
White (W) Grey (G)		
Nominal length NL	Item NO.	Set/ctn
270mm	SL185-270mm	10
300mm	SL185-300mm	10
350mm	SL185-350mm	10
400mm	SL185-400mm	10
450mm	SL185-450mm	10
500mm	SL185-500mm	10
550mm	SL185-550mm	10

The basic components



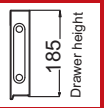
Bottom Fixing-brackets left/right Industrial Package			
Item	incl. with drawer slides	Set/ctn	10

Front Fixing-brackets Industrial Package			
Pre-zinc Steel			
Item	incl. with drawer sides	Set/ctn	10

Screw Industrial Package			
Zinc Plated			
Item	incl. with drawer sides	Set/ctn.	10

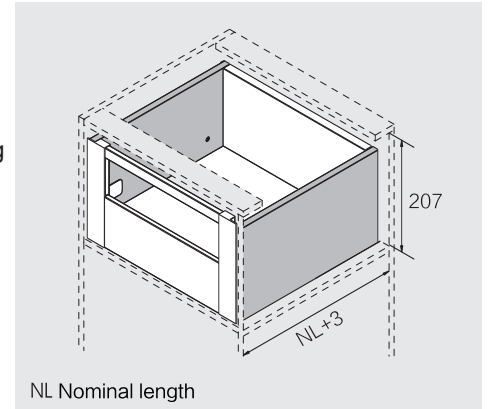
TOPSYSTEM SL-SERIES

METAL DRAWER - height 185 mm (high inner drawer)



- Slim drawer panel max internal drawer space
- Color white or Grey
- Fully synchronized motion, smooth opening and closing
- Quick and easy assembly and dismantling
- 3D adjustment
- Dynamic load 40 kg.
- Optional tilt adjustment

Space Requirement



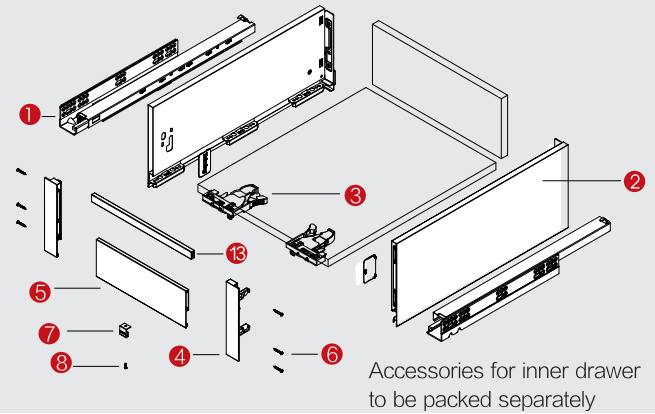
Specification

Kit package			
White (W) Grey (G)			
Nominal length NL	Soft close drawer item NO.	Set/ctn	
270mm	SL185-270KI	1	
300mm	SL185-300KI	1	
350mm	SL185-350KI	1	
400mm	SL185-400KI	1	
450mm	SL185-450KI	1	
500mm	SL185-500KI	1	
550mm	SL185-550KI	1	

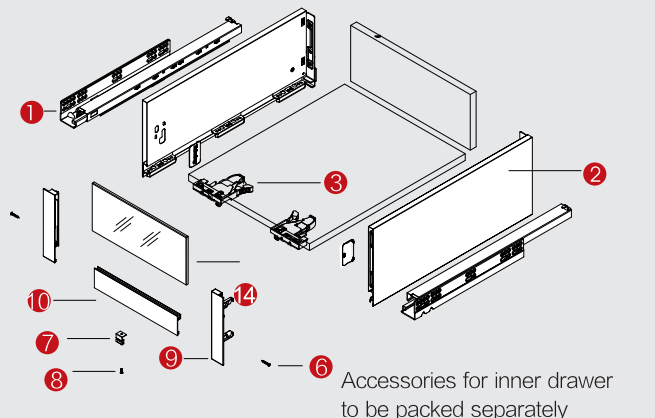
Sides Industrial Package			
Pre-zinc			
Nominal length NL	Soft close drawer item NO.	Set/ctn	
270mm	SL44C-270	10	
300mm	SL44C-300	10	
350mm	SL44C-350	10	
400mm	SL44C-400	10	
450mm	SL44C-450	10	
500mm	SL44C-500	10	
550mm	SL44C-550	10	




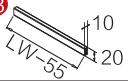
Drawer Sides Industrial Package			
White (8081) 、 Grey(8082)			
Nominal length NL	Item NO.	Set/ctn	
270mm	SL185-270mm	10	
300mm	SL185-300mm	10	
350mm	SL185-350mm	10	
400mm	SL185-400mm	10	
450mm	SL185-450mm	10	
500mm	SL185-500mm	10	
550mm	SL185-550mm	10	

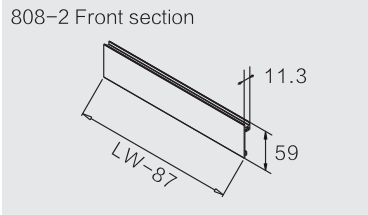
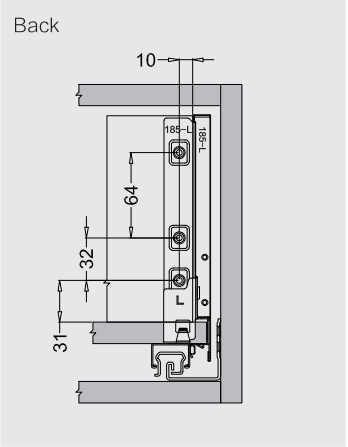
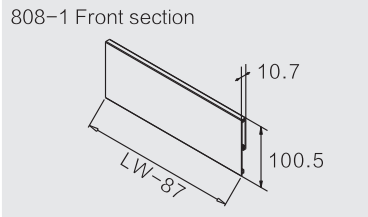
The basic components



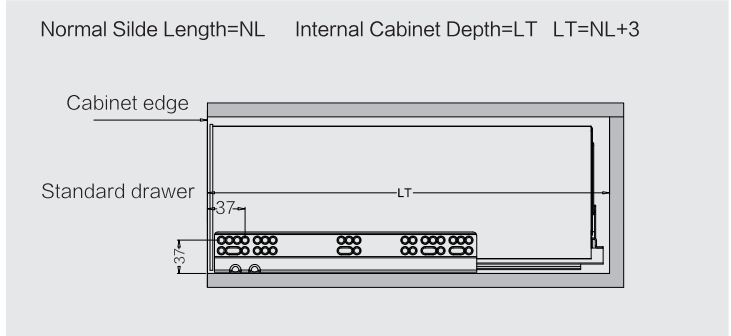
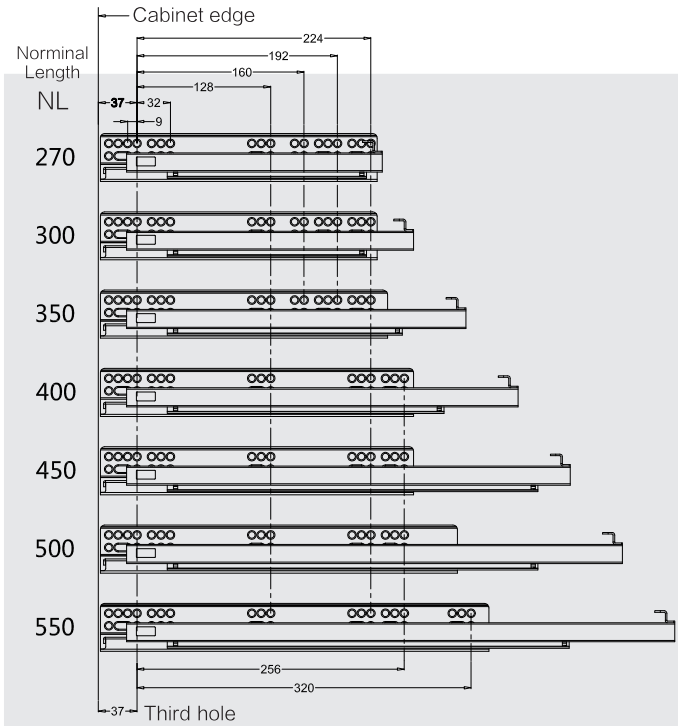
	Item	incl. with drawer slides	Set/ctn	10
	Front Fixing brackets L/R		Industrial Package	
	White, Grey			
	Item	incl. with drawer sides	Set/ctn	10
	Front section		Industrial Package	
	White, Grey			
	Item	incl. with drawer sides	Set/ctn	10
	Screw (Φ 4x25)		Industrial Package	
	Zinc Plated			
	Item	incl. with drawer sides	Set/ctn	10
	Bottom fixed		Industrial Package	
	White			
	Item	incl. with drawer sides	Set/ctn	10



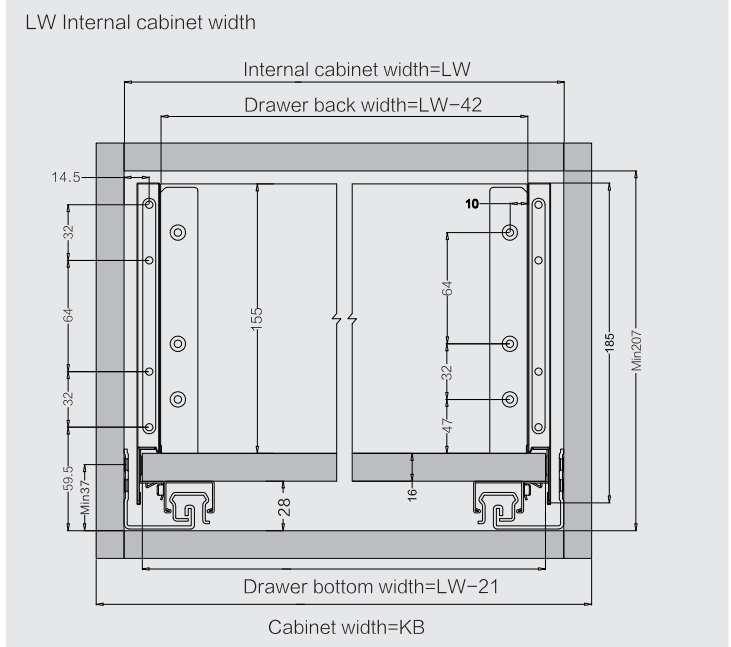
8 	Screw (Φ 3.5x13)		Industrial Package	
	Zinc Plated			
Item NO.	incl. with drawer slides	Set/ctn	10	
9 	Front Fixing brackets L/R		Industrial Package	
	Item NO.	incl. with drawer slides	Set/ctn	10
11 	Front section		Industrial Package	
	White (W) Grey (G)		Set/ctn	10
Item NO.		Set/ctn		
13 	Cross square rail		Industrial Package	
	Item NO.		Set/ctn	



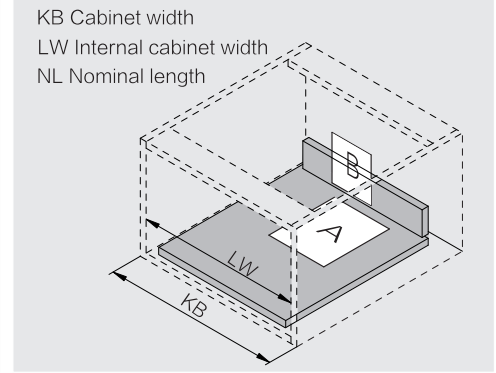
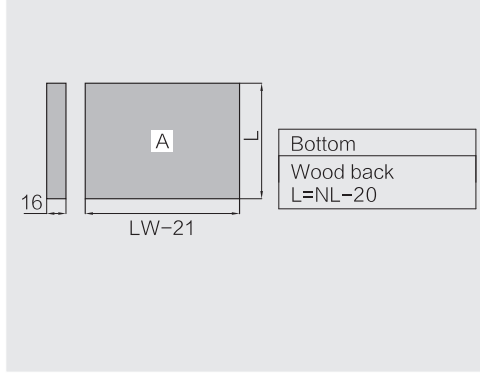
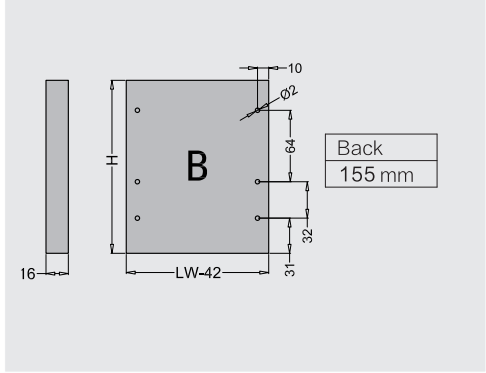
Screw Positions of the Sides(mm)



Installation Dimensions(mm)



Drawer Back and Bottom Dimensions(mm)



TOPSYSTEM SL-SERIES

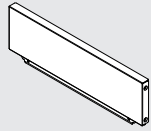
METAL DRAWER metal back & assembly removal and adjustment

Metal Back Height 89



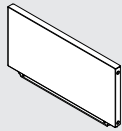
	White (W)	Grey (G)			
Cabinet width	300	500	600	800	1000
Item No	SL89/300MB	SL89/500MB	SL89/600MB	SL89/800MB	SL89/1000MB
Pcs/ctn	10	10	10	10	10

Metal Back Height 121



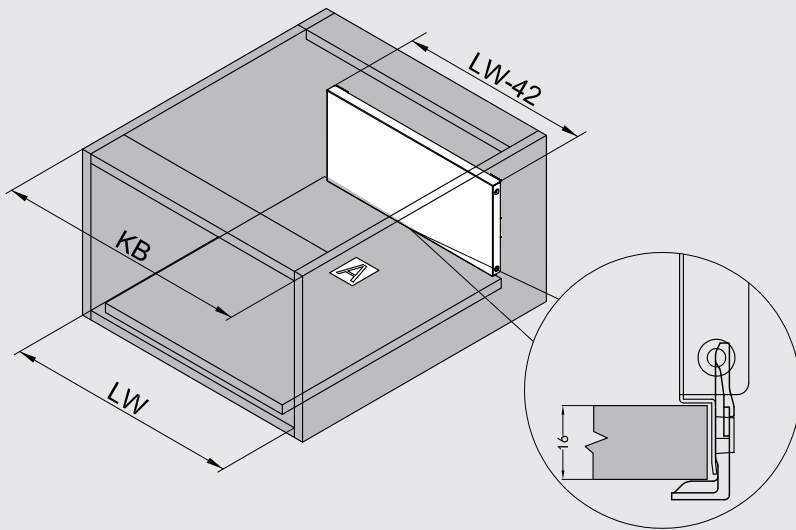
	White (W)	Grey (G)			
Cabinet width	300	500	600	800	1000
Item No	SL121/300MB	SL121/500MB	SL121/600MB	SL121/800MB	SL121/1000MB
Pcs/ctn	10	10	10	10	10

Metal Back Height 185



	White (W)	Grey (G)			
Cabinet width	300	500	600	800	1000
Item No	SL185/300MB	SL185/500MB	SL185/600MB	SL185/800MB	SL185/1000MB
Pcs/ctn	10	10	10	10	10

Calculation of width

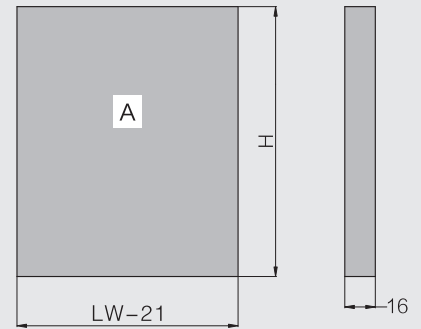


Back panel=Inside cabinet width-42MM

KB≥800mm
Metal back fixed



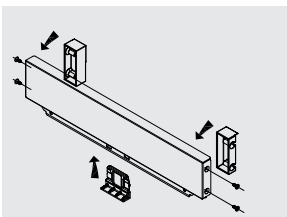
Cutting dimensions for 16mm chipboard



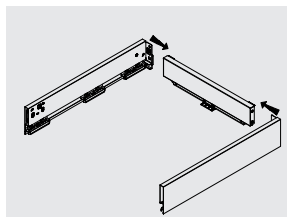
Bottom
H=NL-20MM

LW Internal cabinet width
NL Nominal length

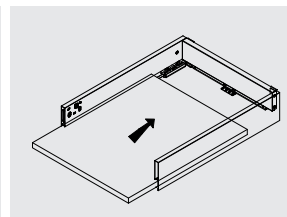
Drawer assembly



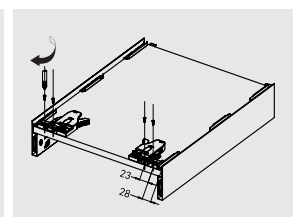
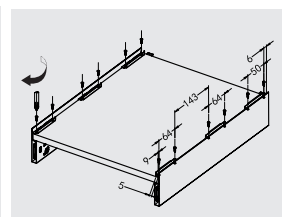
Metal back assembly



Metal back assembly drawer



Bottom assembly



TOPSYSTEM SL-SERIES

DRAWER SYSTEMS MEETING THE DEMANDS OF TODAY

- 13 mm slim drawer panel
max internal drawer space
- Color white or grey
- Fully synchronized motion,
smooth opening and closing
- Quick and easy assembly
and dismantling
- 3D adjustment
- Dynamic load 40 kg.
- Optional tilt adjustment
- FIRA tested 80.000 cycles

*Report reference: TSCAF74787:
TOPSYSTEM SL-Series drawer
Certificate date: 08 August 2017*



TOPSLIDE CONTACTS:

- **Head office** Tel.: +45 8675 3311 topslide@topslide-dk.com
- **UK office** Tel.: +44 1604 404862 topslide@topslide-uk.com
- Denmark, Silkeborgvej 765, DK-8220 Brabrand, Tel.: +45 8675 3311 topslide@topslide-dk.com
- Germany, Karl Sack strasse 17, D-555 45 Bad Kreuznach-Bosenheim, Tel.: +49 0 171 296 1900 topslide@topslide-de.com
- UK, 33 Queens Crescent, Ossett, Wakefield, West Yorkshire WF5 8AU, Tel.: +44 1604 404862 topslide@topslide-uk.com
- Sweden, Vallavägen 7, SE-58246 Linköping, Tel.: +46 70 876 33 87 topslide@topslide-se.com
- Italy & Spain, Via Settignano 03042 Atina (FR) Italy, Tel.: +39 348 5816467 topslide@topslide-it.com
- TOPSLIDE Europe, Silkeborgvej 765, DK-8220 Brabrand, Tel.: +45 8675 3311
- TOPSLIDE China, 11-A2 Rising Dragon Business Center, Hongfu Road, Nancheng District, Dongguan, Guangdong